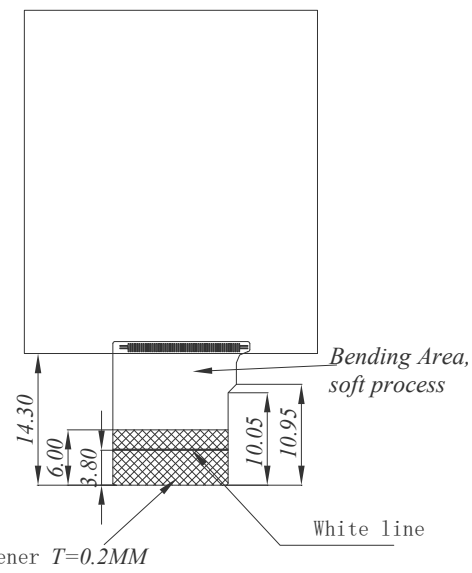
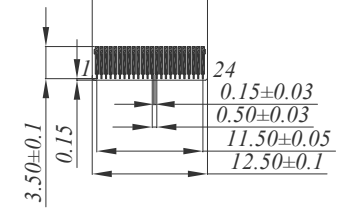
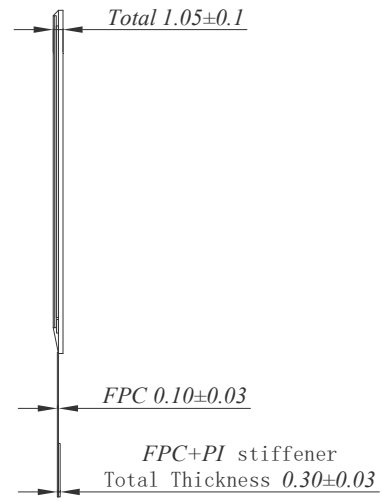
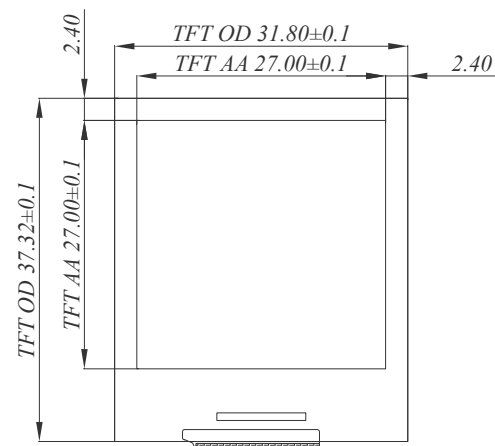



REV	DESCRIPTION:	DATE
1.0	First	
1.1	COM & SEG LAYOUT	2020-2-29



Model Name: EPR003		 Your Professional LCD Partner	
GENERAL TOL: ± 0.2			
APPROVALS	DATE	DRAWN NO.	SCALE: 1:1
DWN:		SIZE: A4	UNIT: mm
CHK:			Page: 1-1
APP:			